

Quick Start Guide

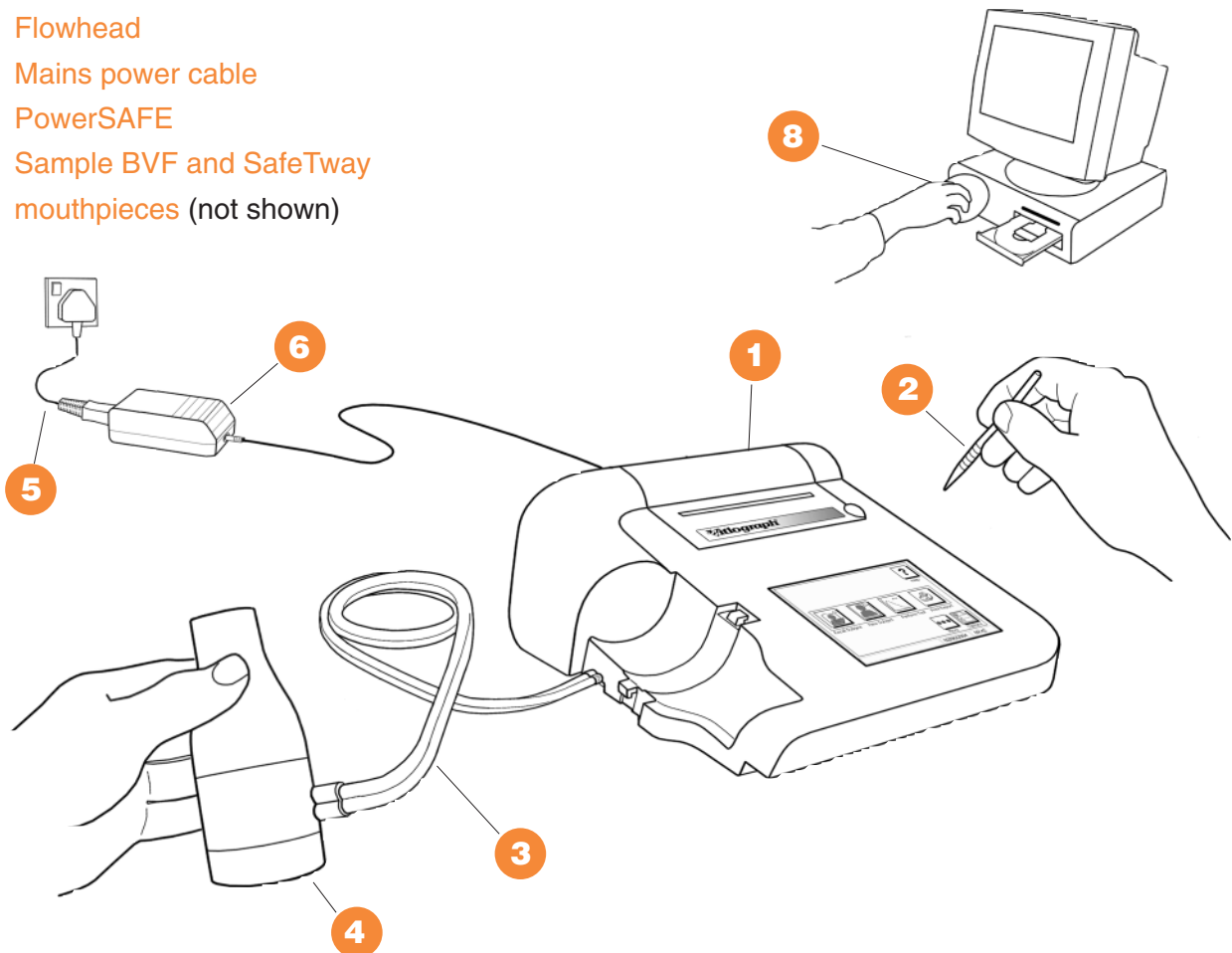
Using this guide it will take you just a few minutes to produce your first spirometry test report using the Vitalograph COMPACT. If you need further instruction details, you will find the User Manual on the Resource CD provided, or alternatively visit the Technical Support section of:

www.vitalograph.com

... system components

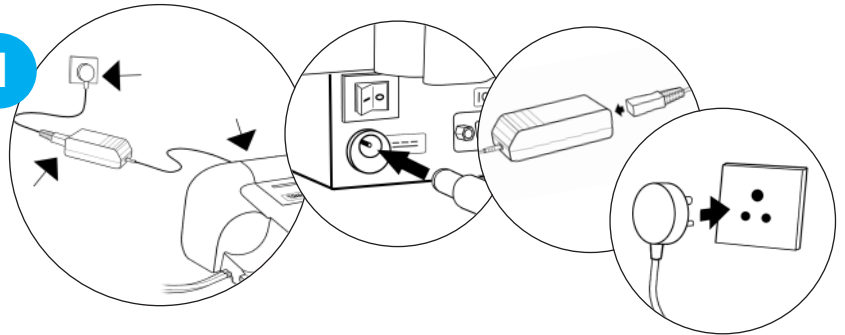
Remove all packaging and start the feed of the paper roll out through the print cover door. In the box are the following components:

- | | |
|----------------------------------------------------------|----------------------------------------------|
| 1 Vitalograph COMPACT device | 8 Resource CD |
| 2 Stylus clipped to device | 9 User Instructions sheet (not shown) |
| 3 Silicone twin-tubing | 10 Icon Guide Sheet (not shown) |
| 4 Flowhead | |
| 5 Mains power cable | |
| 6 PowerSAFE | |
| 7 Sample BVF and SafeTway mouthpieces (not shown) | |



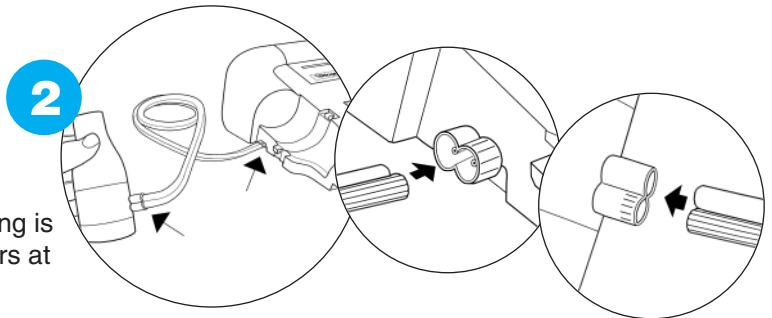
... setting up the Vitalograph COMPACT

- 1** Plug the PowerSAFE into the back of the device. Connect the mains power lead into the PowerSAFE. Plug into mains power and ensure that green light on PowerSAFE is illuminated.



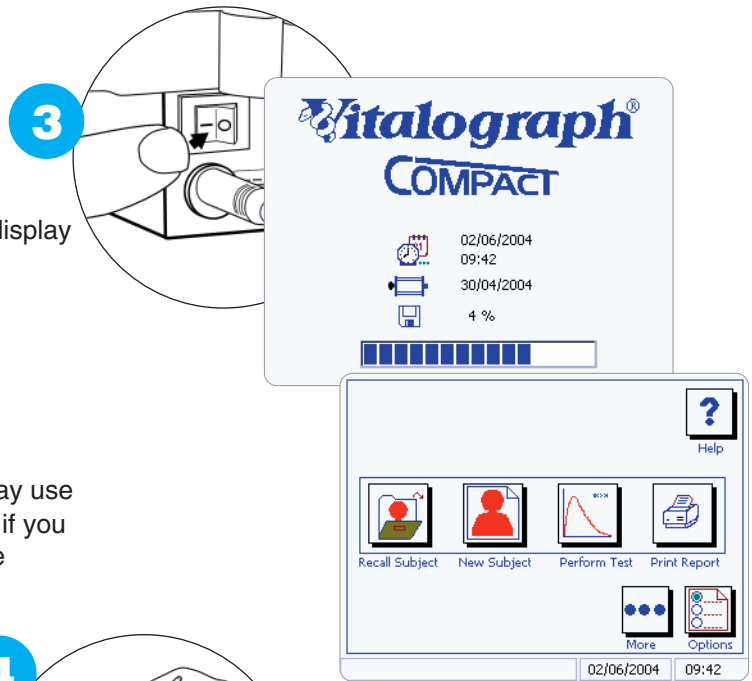
- 2** Insert the white twin-tubing into the side of the device and the other end into the flowhead.

NB : Ensure that the ribbed side of the tubing is attached to the ribbed side of the connectors at both ends.



- 3** Turn On the Vitalograph COMPACT. The On/Off switch is at the back of the device.

After a short delay, the Welcome screen will display briefly then reverts to the Home screen.

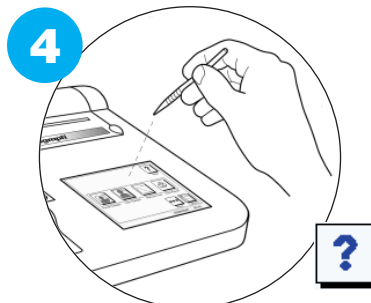


- 4** To use the touch screen on the device you may use the stylus clipped to the side of the device, or if you prefer use a finger. Using the stylus keeps the screen clean.

Optionally you can run a tutorial by tapping the Help icon on the Home screen.

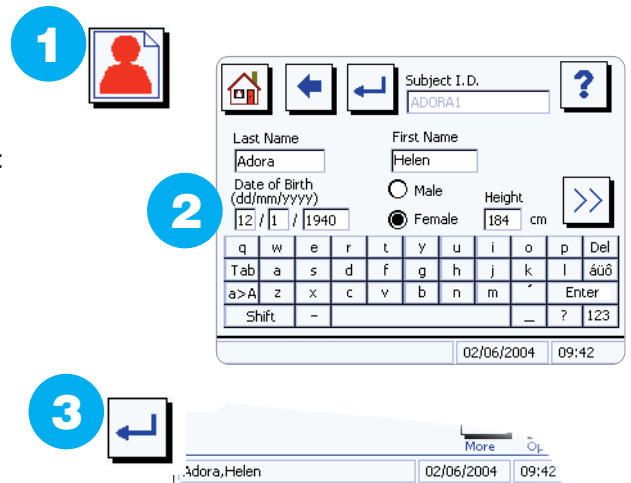
You are now ready to use the touch screen and perform a test.

To perform your first test may we suggest that you yourself be the subject.



... creating a new subject

- 1 Tap the 'New Subject' icon.
- 2 Tap the 'keypad' to type the subject details in this order:
 - Last Name – then touch 'Tab' to open the next field:
 - First Name
 - Date of Birth
 - Gender
 - Height
- 3 When you have entered Height, tap the 'Return' icon at the top of the screen. The new subject entered is now the 'current subject', showing at the bottom of the screen. Also the device is now in VC Test mode.

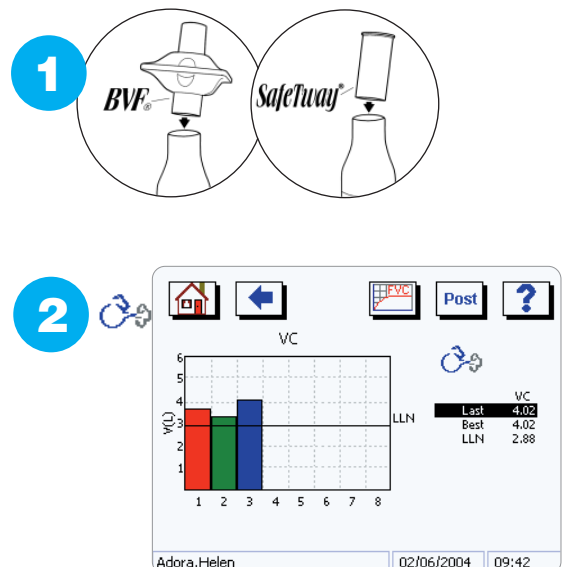


... performing the tests

- 1 For each subject insert a new BVF (Bacterial Viral Filter) or a SafeTway mouthpiece into the flowhead. (SafeTway mouthpieces are recommended if you are conducting expiratory testing only, but the BVF helps to protect the device as well as the test subject). Use of a noseclip is also recommended.
- 2 Instruct the subject to perform a Vital Capacity test when the 'ready to blow' icon is displayed.

This screenshot shows 3 VC blows performed.

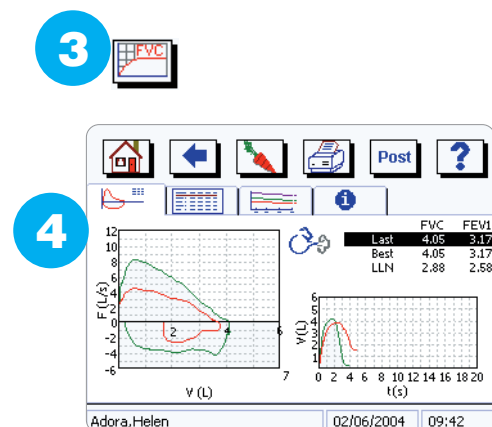
Note: the 'ready to blow' icon disappears temporarily whilst the device is calculating after each blow.



- 3 Tap the FVC icon to enter FVC Test mode.
- 4 Advise and encourage the subject in performing 3 satisfactory FVC tests.

Each blow shows in a different colour.

The best test is automatically selected by the device.



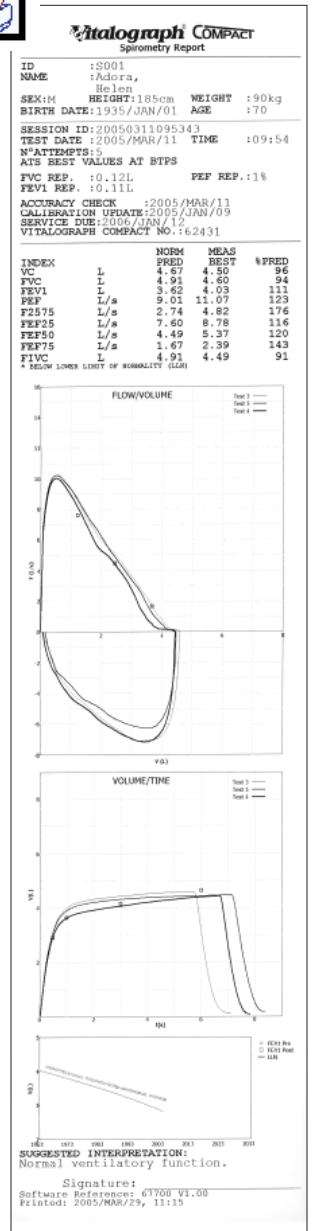
... printing

- 1 When the tests are complete just tap the Print icon.



The internal printer will start to print your spirometry report. Tear it off when it has finished printing. Quick and Easy.

CONGRATULATIONS! YOU HAVE SUCCESSFULLY COMPLETED YOUR FIRST SPIROMETRY REPORT ON YOUR VITALOGRAPH COMPACT



... viewing and printing previous tests

The subject demographics and the test results are automatically stored in your Vitalograph COMPACT.

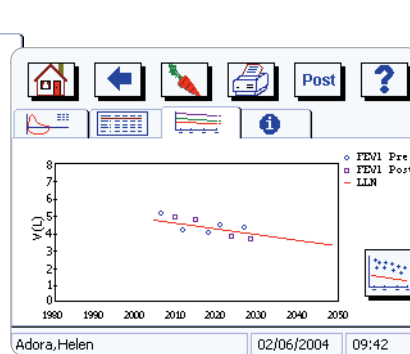
- 1 To view or print any test already stored, first go to the Home screen.
- 2 Then tap the Print/View icon.
- 3 Select the desired test (the selected test is highlighted), then tap View icon or Print icon as desired.



Note: If you have just switched on and have no 'current subject', one must be selected before the stored tests can be viewed/printed.

- 4 Your Vitalograph COMPACT saves all test data. Trending this data gives much earlier warning of an abnormal decline in lung function than using population normal 'predicted values'.

To view a trend graph of the tests tap the Trend icon.



... consumables and accessories

20303 . . . Nose Clips (10)
 28350 . . . BVF (50)
 20242 . . . SafeTway mouthpieces (200)
 42084 . . . Flow Conditioning Mesh (10)

66149 . . . Thermal Paper Rolls (5)
 36020 3-L Precision Syringe
 20979 Hard Carry Case
 66408 Soft Carry Case

from **Vitalograph**

... the spirometry people



Vitalograph Ltd. • Maids Moreton • Buckingham • MK18 1SW • England • Tel: +44 (0) 1280 827110 • Fax: +44 (0) 1280 823302 • E-mail: sales@vitalograph.co.uk
 Vitalograph GmbH. • Jacobsenweg 12 • 22525 Hamburg • Germany • Tel: (040) 547391-0 • Fax: (040) 547391-40 • E-mail: info@vitalograph.de
 Vitalograph Inc. • 13310 West 99th Street • Lenexa • Kansas 66215 • USA • Tel.: (913) 888 4221 • Fax: (913) 888 4259 • E-mail: vitcs@vitalograph.com
 Vitalograph (Ireland) Ltd. • Gort Road Business Park • Ennis • Co. Clare • Ireland • Tel.: (065) 6864100 • Fax: (065) 6829289 • E-mail: sales@vitalograph.ie
 Internet: www.vitalograph.com

Vitalograph, Spirotrac, COMPACT, BVF, and SafeTway are registered trademarks of Vitalograph Ltd.